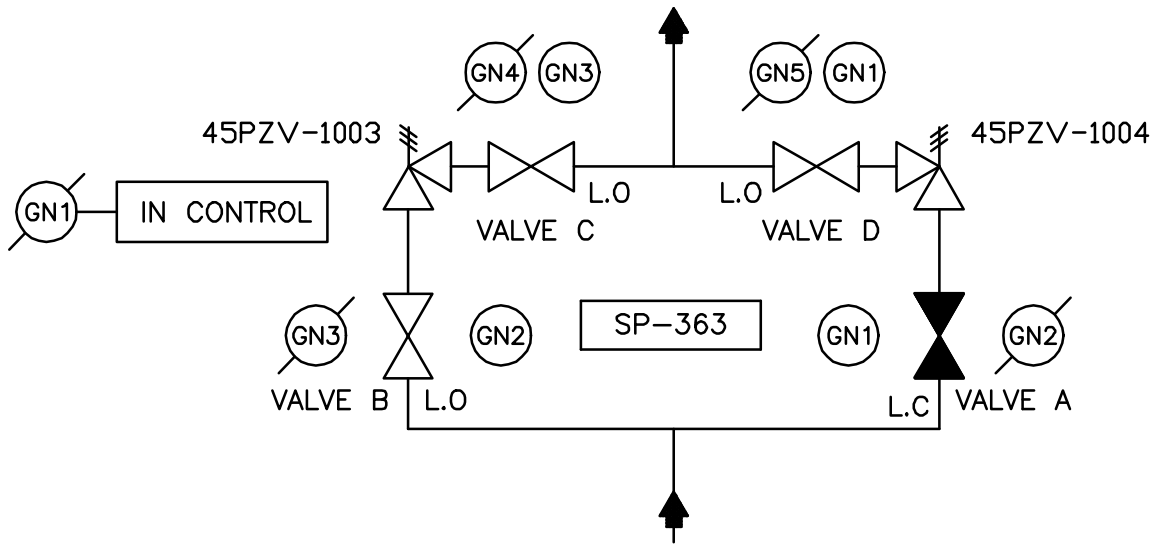


# 4 VALVE PZV INTERLOCK SYSTEM SYSTEM SP-363

(SYSTEM SHOWN IN NORMAL OPERATING CONDITION)

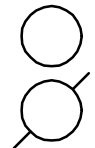


## LEGEND

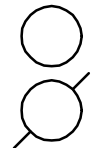
VALVE OPEN



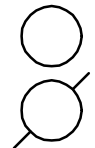
VALVE CLOSED



KEY FREE



KEY TRAPPED



KEY IN CONTROL ROOM	VALVE POSITION			
	A	B	C	D
GN1	CLOSED	OPEN	OPEN	OPEN
GN2	OPEN	OPEN	OPEN	OPEN
GN3	OPEN	CLOSED	OPEN	OPEN
GN4	OPEN	CLOSED	CLOSED	OPEN
GN5	CLOSED	OPEN	OPEN	CLOSED

## Sequence of Operation :

(Starting from Normal operating Condition):

- 1) Change-Over sequence from 45PZV-1003 Operational to 45PZV-1004 Operational.
  - a) Obtain Key 'GN1' from Control,
  - b) Insert Key 'GN1' into Valve A. Open Valve A. and Lock Open by removing Key 'GN2'
  - c) Insert Key 'GN2' into Valve B. Close Valve B. and Lock Closed by removing Key 'GN3'
  - d) Return Key 'GN3' to Control. (Change-Over complete)
- 2) Complete Isolation of 45PZV-1003.
  - a) Obtain Key 'GN1' from Control,
  - b) Insert Key 'GN1' into Valve A. Open Valve A. and Lock Open by removing Key 'GN2'
  - c) Insert Key 'GN2' into Valve B. Close Valve B. and Lock Closed by removing Key 'GN3'
  - d) Insert Key 'GN3' into Valve C. Close Valve C. and Lock Closed by removing Key 'GN4'
  - e) Return Key 'GN4' to Control. (Isolation of 45PZV-1003. complete)
- 3) Complete Isolation of 45PZV-1004.
  - a) Obtain Key 'GN1' from Control,
  - b) Insert Key 'GN1' into Valve D. Close Valve D. and Lock Closed by removing Key 'GN5'
  - c) Return Key 'GN5' to Control. (Isolation of 45PZV-1004. complete)